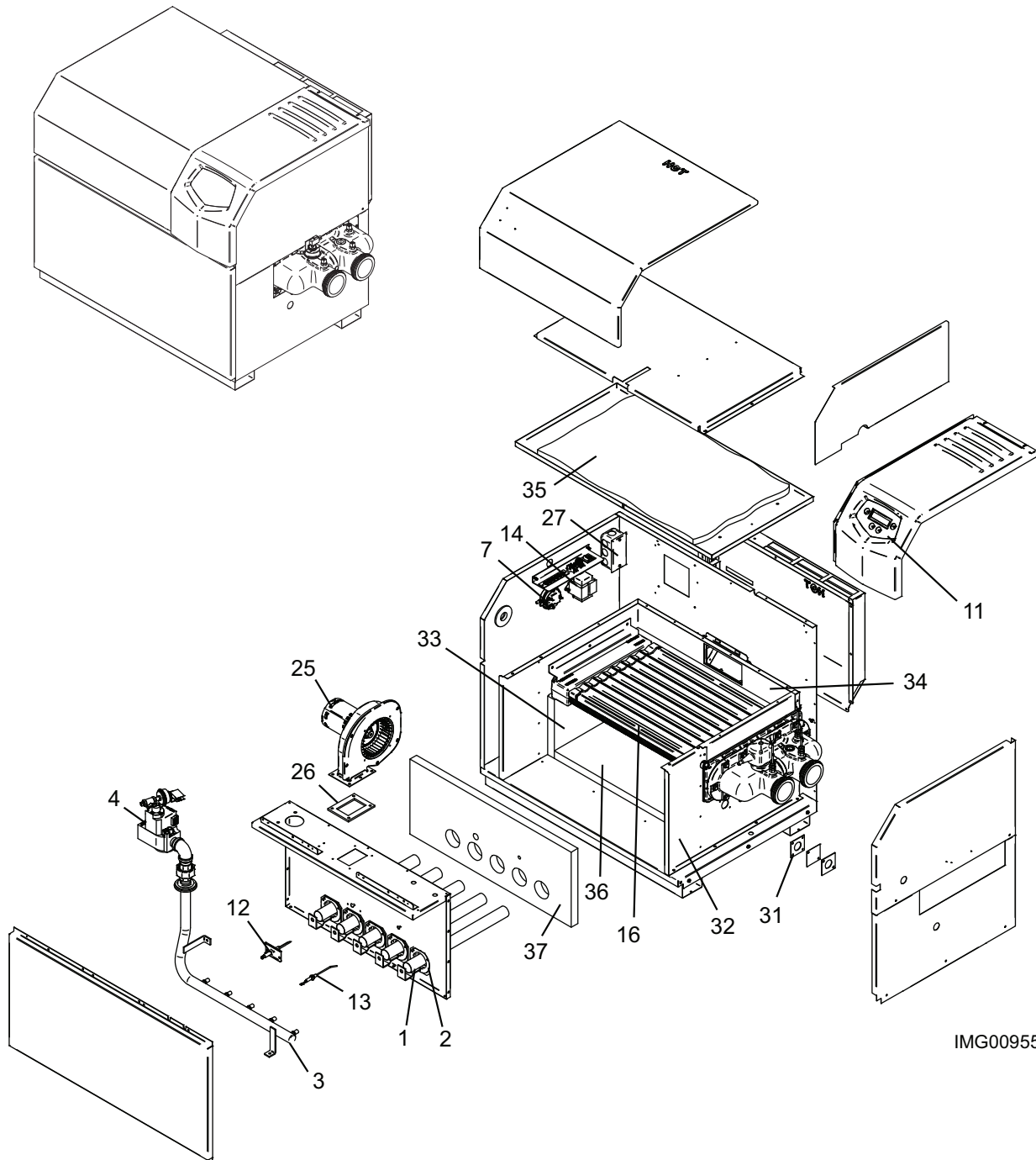




PARTS & SERVICE DEPARTMENT
 Nashville, Tennessee
 877-554-5544 • Fax: 615-882-2918
 parts_team@lochinvar.com
 www.Lochinvar.com

Replacement Parts List

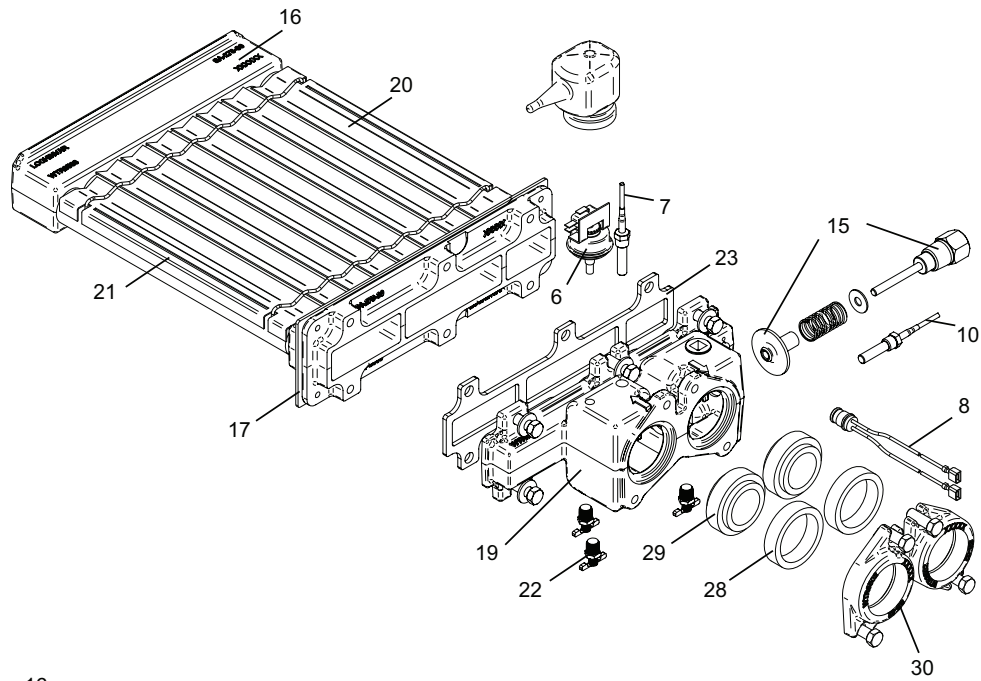
EnergyRite®
Pool & Spa Heater
Residential Pool Heaters
ER(N, L) 152-402



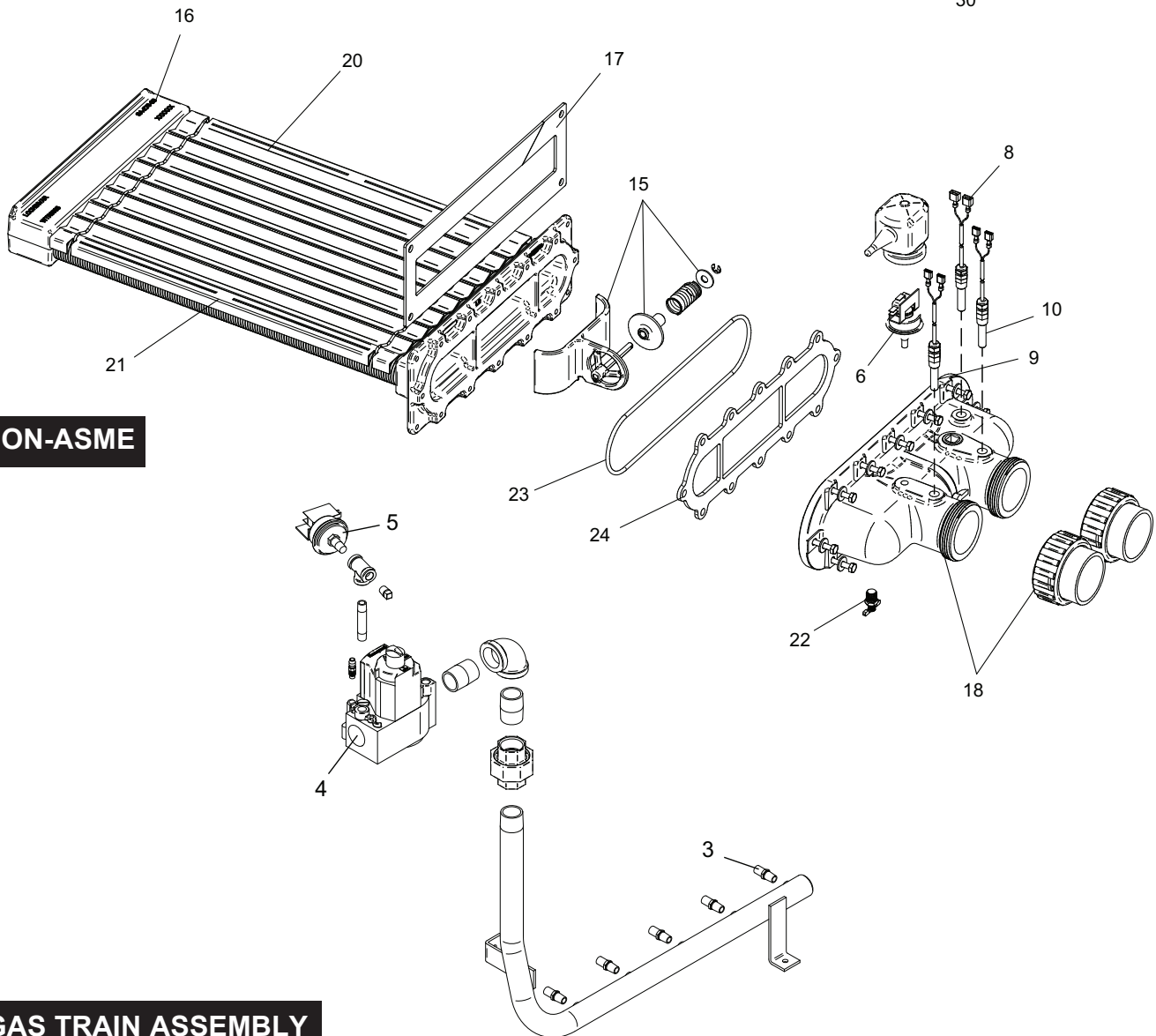
IMG00955

HEAT EXCHANGER ASSEMBLIES

ASME



NON-ASME



GAS TRAIN ASSEMBLY

ITEM NO.	PART NO.	DESCRIPTION	MODEL NO.
BURNERS			
1	100135300 MAIN BURNER	100135300	100135299
		2	1
		3	1
	100135299 MAIN BURNER W/ PRESSURE TAP	4	1
		5	1
		7	1
GAS TRAIN ASSEMBLIES			
2	100233587	GASKET, BURNER	ALL
3	100208348	ORIFICE, NATURAL	ALL
3	100208345	ORIFICE, LP	ALL
4	100172022	GAS VALVE, NATURAL	ALL
4	100208608	GAS VALVE, LP	ALL
5	100208389	SWITCH, GAS PRESSURE, NATURAL	ER 252 - 402
CONTROLS & GAUGES			
6	100166256*	PRESSURE SWITCH, 1-5 PSI	ALL
7	100166258*	PRESSURE SWITCH, 1.35" WATER COLUMN	ALL
8	100148403*	HIGH LIMIT ASSEMBLY, 175 DEG	ALL ASME
8	100208570*	HIGH LIMIT OVER TEMP	ALL NON-ASME
9	100208553*	INLET SENSOR	ALL
10	100208548*	OUTLET SENSOR	ALL
11	100286274*	SEALED INTEGRATED CONTROL	ALL
12	100165932*	IGNITOR, SPARK	ALL
13	100165921*	FLAME SENSOR	ALL
14	100277852	TRANSFORMER, 120/240V TO 24 V	ALL
15	100163257	BYPASS ASSEMBLY	ER 152 - 302 ASME
15	100163258	BYPASS ASSEMBLY	ALL NON-ASME
15	100163221	BYPASS ASSEMBLY	ER 402 ASME
HEAT EXCHANGERS			
16	100147463	HEAT EXCHANGER, NON-ASME, 150MBH	ER 152
16	100147464	HEAT EXCHANGER, NON-ASME, 200MBH	ER 202
16	100147465	HEAT EXCHANGER, NON-ASME, 250MBH	ER 252
16	100147466	HEAT EXCHANGER, NON-ASME, 300MBH	ER 302
16	100147467	HEAT EXCHANGER, NON-ASME, 400MBH	ER 402
16	100147478	CUPRO NICKEL HEAT EXCHANGER, NON-ASME, 150MBH	ER 152
16	100147479	CUPRO NICKEL HEAT EXCHANGER, NON-ASME, 200MBH	ER 202
16	100147480	CUPRO NICKEL HEAT EXCHANGER, NON-ASME, 250MBH	ER 252
16	100147487	CUPRO NICKEL HEAT EXCHANGER, NON-ASME, 300MBH	ER 302
16	100147488	CUPRO NICKEL HEAT EXCHANGER, NON-ASME, 400MBH	ER 402
16	100147468	HEAT EXCHANGER, ASME, 150MBH	ER 152
16	100147469	HEAT EXCHANGER, ASME, 200MBH	ER 202
16	100147470	HEAT EXCHANGER, ASME, 250MBH	ER 252
16	100147471	HEAT EXCHANGER, ASME, 300MBH	ER 302
16	100147472	HEAT EXCHANGER, ASME, 400MBH	ER 402
16	100147473	CUPRO NICKEL HEAT EXCHANGER, ASME, 150MBH	ER 152
16	100147474	CUPRO NICKEL HEAT EXCHANGER, ASME, 200MBH	ER 202
16	100147475	CUPRO NICKEL HEAT EXCHANGER, ASME, 250MBH	ER 252
16	100147476	CUPRO NICKEL HEAT EXCHANGER, ASME, 300MBH	ER 302
16	100147477	CUPRO NICKEL HEAT EXCHANGER, ASME, 400MBH	ER 402
16	100208106*	GASKET, HEAT SHIELD	ALL ASME
17	100277728*	GASKET, HEAT SHIELD	ALL NON-ASME
18	100173746	HEADER WITH CONNECTION KIT	ALL NON-ASME
-	100173757	HEADER CONNECTION KIT	ALL NON-ASME
19	100294596	FRONT HEADER	ALL ASME
MISCELLANEOUS			
20	100290356	V-BAFFLE (6 PER HEX)	ER 152
20	100290357	V-BAFFLE (6 PER HEX)	ER 202
20	100290358	V-BAFFLE (6 PER HEX)	ER 252
20	100276812	V-BAFFLE (6 PER HEX)	ER 302
20	100290359	V-BAFFLE (6 PER HEX)	ER 402
21	100152226	FRAME RUNNER (2 PER HEX)	ER 152
21	100152227	FRAME RUNNER (2 PER HEX)	ER 202
21	100152228	FRAME RUNNER (2 PER HEX)	ER 252
21	100152229	FRAME RUNNER (2 PER HEX)	ER 302
21	100152230	FRAME RUNNER (2 PER HEX)	ER 402
PLEASE HAVE MODEL AND SERIAL NUMBER WHEN ORDERING PARTS			
*ITEMS DENOTE SUGGESTED INVENTORY PARTS			

ITEM NO.	PART NO.	DESCRIPTION	MODEL NO.
MISCELLANEOUS (CONTINUED)			
22	100233423	DRAIN COCK	ALL
23	100233730*	GASKET, HEADER	ALL ASME
23	100233722*	GASKET, HEADER	ALL NON-ASME
24	100290348*	GASKET, HEADER	ALL NON-ASME
25	100145011	COMBUSTION AIR FAN	ER 152
25	100145012	COMBUSTION AIR FAN	ER 202 - 402
26	100233675*	GASKET, FAN	ALL
27	100288472	ON/OFF SWITCH	ALL
28	100208100	GASKET, FLANGE, 2"	ALL ASME
29	100208754	GASKET, 1-1/2"	ALL ASME
30	100173818	FLANGE	ALL ASME
31	100163259*	SIGHT GLASS KIT	ALL
-	100146604	GASKET STRIP, FIBERGLASS, WHITE	ALL
-	100163202	TUBING, EPDM, 1/4"	ALL
-	100208097	ESCUTCHEON GASKET, 3/4"	ALL
-	100146588	GASKET, PVC - 1/4" X 5/8" BLACK	ALL
-	100146589	GASKET, TAPE, 1/4" X 5/8" X 15' SILICONE SPONGE	ALL
-	100208454	RELIEF VALVE, 3/4", 50 PSI	ALL ASME
-	100208454	RELIEF VALVE, 3/4", 50 PSI	ALL NON-ASME
-	100163209	SILICONE TUBING	ALL
LOCH-HEAT TILE			
32	100145548	INSULATION, FRONT-HEAD SIDE PANEL	ALL
33	100145549	INSULATION, REAR-HEAD SIDE PANEL	ALL
34	100145497	INSULATION, BACK PANEL	ER 152
34	100145501	INSULATION, BACK PANEL	ER 202
34	100145504	INSULATION, BACK PANEL	ER 252
34	100145507	INSULATION, BACK PANEL	ER 302
34	100145510	INSULATION, BACK PANEL	ER 402
35	100145719	INSULATION, TOP	ER 152
35	100145720	INSULATION, TOP	ER 202
35	100145721	INSULATION, TOP	ER 252
35	100145722	INSULATION, TOP	ER 302
35	100145729	INSULATION, TOP	ER 402
36	100145498	INSULATION, BOTTOM PANEL	ER 152
36	100145502	INSULATION, BOTTOM PANEL	ER 202
36	100145505	INSULATION, BOTTOM PANEL	ER 252
36	100145508	INSULATION, BOTTOM PANEL	ER 302
36	100145511	INSULATION, BOTTOM PANEL	ER 402
37	100145499	INSULATION, FRONT PANEL (PRIOR TO SERIAL #A10H00223978)	ER 152
37	100145503	INSULATION, FRONT PANEL (PRIOR TO SERIAL #A10H00223978)	ER 202
37	100145506	INSULATION, FRONT PANEL (PRIOR TO SERIAL #A10H00223978)	ER 252
37	100145509	INSULATION, FRONT PANEL (PRIOR TO SERIAL #A10H00223978)	ER 302
37	100145512	INSULATION, FRONT PANEL (PRIOR TO SERIAL #A10H00223978)	ER 402
37	100145326	INSULATION, FRONT PANEL (BEGINNING SERIAL #A10H00223978)	ER 152
37	100145327	INSULATION, FRONT PANEL (BEGINNING SERIAL #A10H00223978)	ER 202
37	100145332	INSULATION, FRONT PANEL (BEGINNING SERIAL #A10H00223978)	ER 252
37	100145333	INSULATION, FRONT PANEL (BEGINNING SERIAL #A10H00223978)	ER 302
37	100145334	INSULATION, FRONT PANEL (BEGINNING SERIAL #A10H00223978)	ER 402
PLEASE HAVE MODEL AND SERIAL NUMBER WHEN ORDERING PARTS			
*ITEMS DENOTE SUGGESTED INVENTORY PARTS			